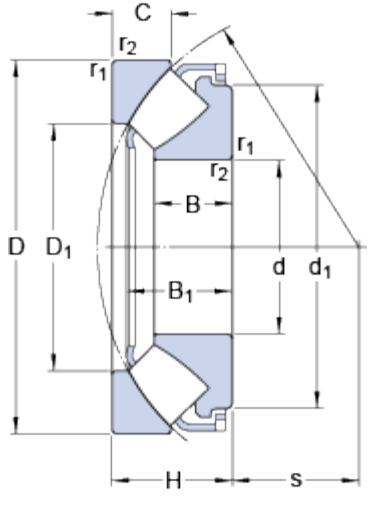


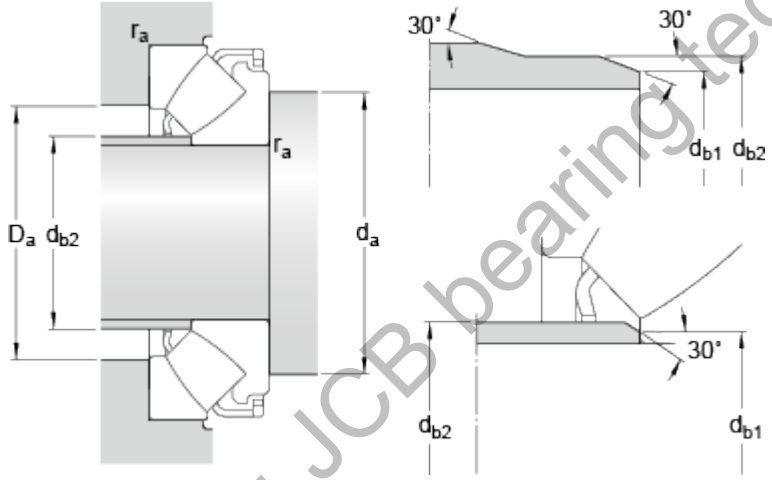
▶  
29356 E

Dimensions



d	280	mm
D	440	mm
H	95	mm
d <sub>1</sub>	≈ 401	mm
D <sub>1</sub>	≈ 343	mm
B	62	mm
B <sub>1</sub>	86.7	mm
C	45.5	mm
s	158	mm
r <sub>1,2</sub>	min. 5	mm

Abutment dimensions



d <sub>a</sub>	min. 355	mm
d <sub>b1</sub>	max. 293	mm
d <sub>b2</sub>	max. 305	mm
D <sub>a</sub>	max. 390	mm
r <sub>a</sub>	max. 4	mm

Calculation data

Basic dynamic load rating	C	2550	kN
Basic static load rating	C <sub>0</sub>	8650	kN
Fatigue load limit	P <sub>u</sub>	800	kN
Reference speed		850	r/min
Limiting speed		1400	r/min
Minimum axial load factor	A	7.1	

Mass

Mass bearing		53	kg
--------------	--	----	----